

10" x 9" Single Panini Grills

ITEM: 11375 11376
MODEL: PG-IT-0483-R PG-IT-0483



Easy to use and versatile

Ideal for quesadillas, panini, foccacia, and pita sandwiches. These model have stainless steel bodies with cast iron grilling surfaces for easy cleaning. If versatility is what you are looking for, look no further as these panini grills offer the best of both worlds. 11376 has a smooth surface that can be used as a griddle/warmer while the grooved surface creates appealing grill marks.

FEATURES:

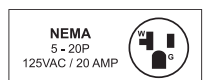
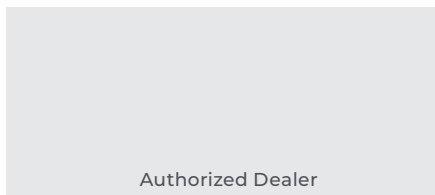
- Collecting tray
- Thermostat control
- Functioning pilot lamp
- Non-slip rubber feet

1-833-487-3686

www.trentoequipment.com

sales@trentoequipment.com

Follow us on social media
[@trentoequipment](#)



11375

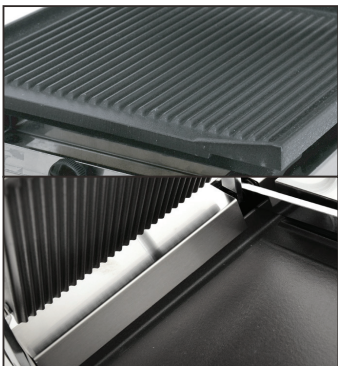


11376



Main Component -----

- ① Collecting Tray
- ② Thermostat Control
- ③ Functioning Pilot Lamp
- ④ Non-slip Rubber Feet
- ⑤ Top Grill: Ribbed Grill Plate
Bottom: Ribbed/Smooth



Accessory -----



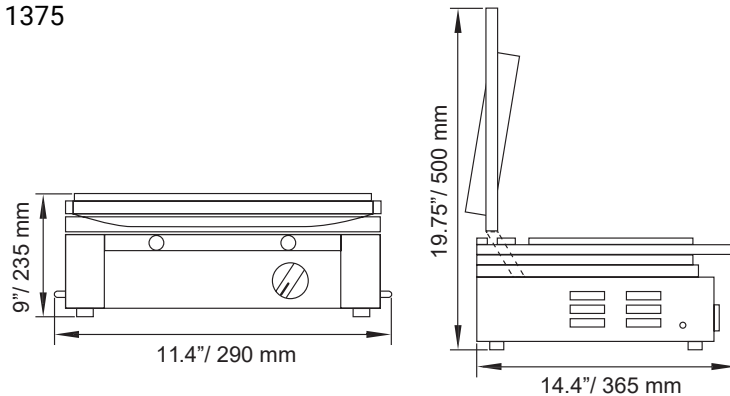
Panini Grill Cleaning Brush

Technical Specification

Features	Ribbed Top and Bottom Grill	Ribbed Top - Smooth Bottom Grill
Item	11375	11376
Model	PG-IT-0483-R	PG-IT-0483
Grill Surface	10" x 9" (254 x 228 mm)	
Thermostat Control	120 - 570 °F (50 - 300 °C)	
Power	1700 W	
Amps	15 A	
Electrical	110V / 60Hz / 1Ph	
Top Grill	Ribbed	
Bottom Grill	Ribbed	Smooth
Net Weight	40 lb. (18 kg.)	35 lb. (16 kg.)
Net Dimensions (WDH)	Open: 11.4" x 14.4" x 19.75" (290 x 365 x 500 mm) Close: 9" (235 mm)	
Gross Weight	43 lb. (19.5 kg.)	38 lb. (17 kg.)
Plug Type	NEMA 5 - 20P	

Technical Drawings and Dimensions

11375



11376

